

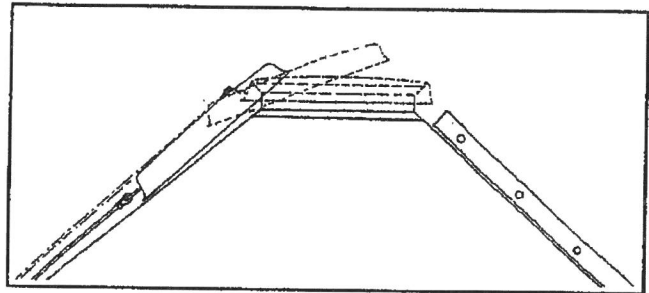
Spring Away, Ground Operated Lid, BL0001, BL0003 Installation Instructions



CAUTION: When working with sheet metal always wear gloves to protect hands from sharp edges and corners.

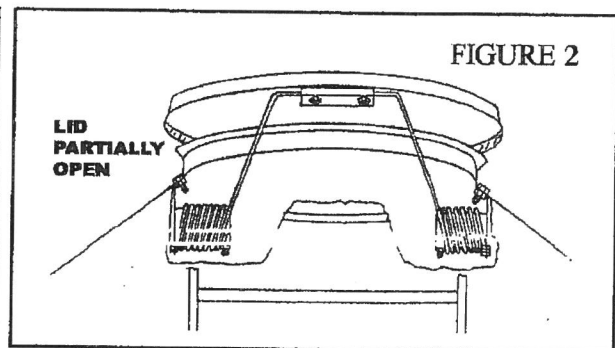
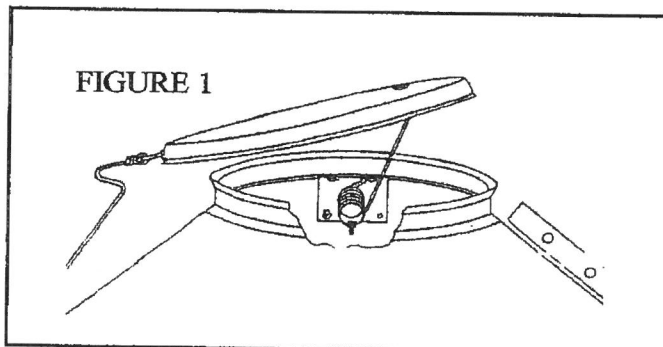
A. Parts List

1. Box A
 - a. Lid with Torsion Hinge and Eyebolt mounted
2. Packet A
 - a. rope



B. Spring and Lid Placement

1. Place the Spring Away Lid over the top of the manhole band, locating eyebolt opposite the side of access ladder (fig.-1). Open the lid and insert the coil springs over the spring axle brackets (fig.-2). Tie one end of the rope securely to the eyebolt on the lid (fig.-1).
2. To keep the springs from having lateral (side-to-side) movement, use two (2) 5/16-1 bolts and two (2) 5/16 hex nuts. Mount one (1) nut and bolt combination through the hole in the tube on each bracket (position A, fig. 4, 5 & 6). Leave the lid in open position.

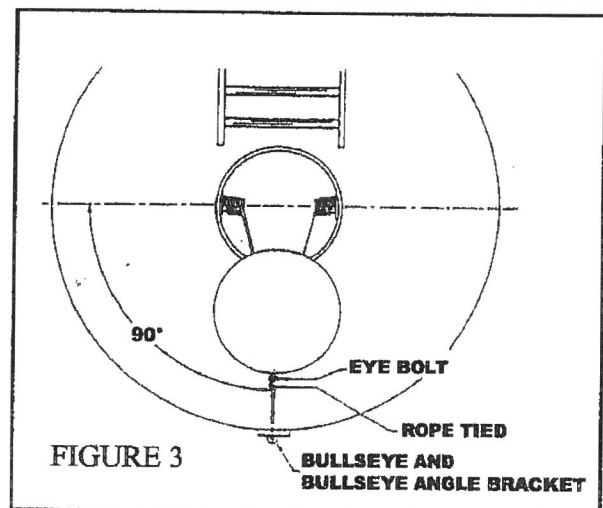


C. Bullseye and Rope Mounting

1. Thread the rope through the plastic bullseye at the top of the bin wall opposite the side of the ladder. Wrap the rope around the cleat tightly to secure the lid in the open position (fig.-3).

D. Spring Tensioning

1. Working from a secure position on the ladder with the lid secured in the open position, begin with the spring and bracket on the right side of the manhole.
(CONTINUED ON PAGE TWO)

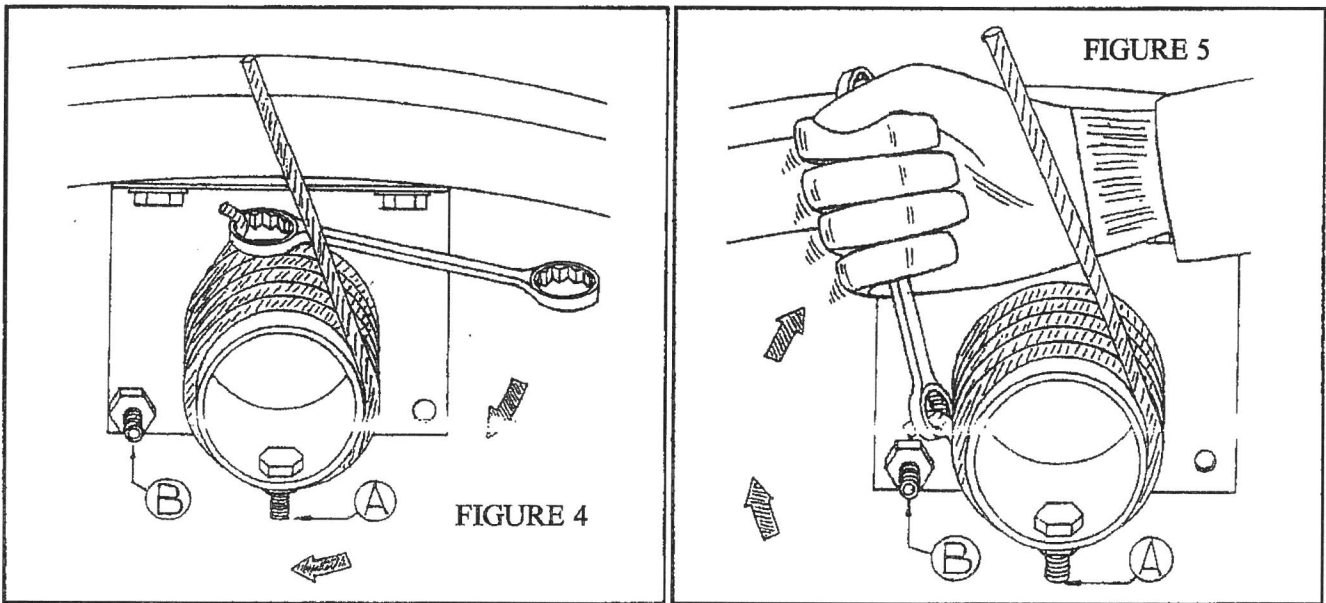


(CONTINUED FROM PAGE ONE)

Rotate the end of the coil spring under tension around the tube three quarters (3/4) of a rotation and secure with a 5/16 nut on the mounted bolt (position B, fig. 4, 5 & 6).

Note: We suggest the use of a box end wrench at the end of the spring for leverage in rotating the spring around the spring axle (fig. 4 & 5). After the spring is hooked on the mounted bolt (position B, fig. 4 & 6), remove the wrench from the spring and tighten down the 5/16 lock nut to secure the spring in position (position B, fig. 6).

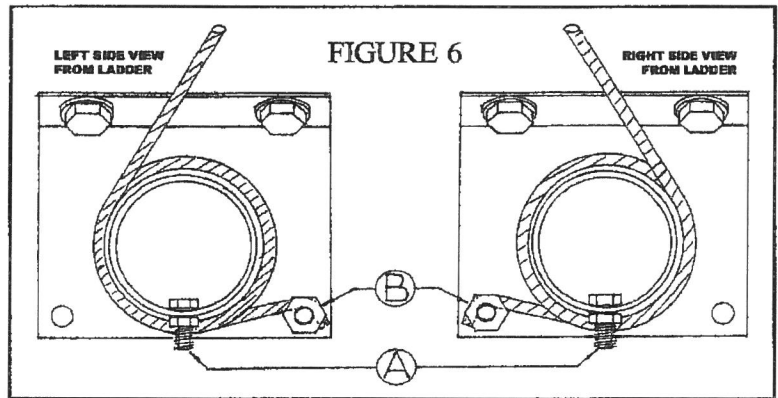
Repeat step D-1 for the tension spring on the left side of the manhole (fig. 4, 5 & 6).



E. Lid Operation

1. Test the Spring Away Lid operation by releasing and pulling firmly on the rope. The lid should open with steady resistance. Rope travel is approximately 18 inches under constant tension.

DO NOT RELEASE ROPE while the lid is in the open position. The spring in the lid is under constant tension and rapid closing may cause damage to the spring mechanism.



If the lid does not close readily and secure in position, check the spring positioning and refer to paragraphs B, C & D and figures 1 through 6. If there are any further problems with the lid operation, please call us at 309-772-3106.

Thank you for purchasing a Schuld / Bushnell Spring Away Lid.