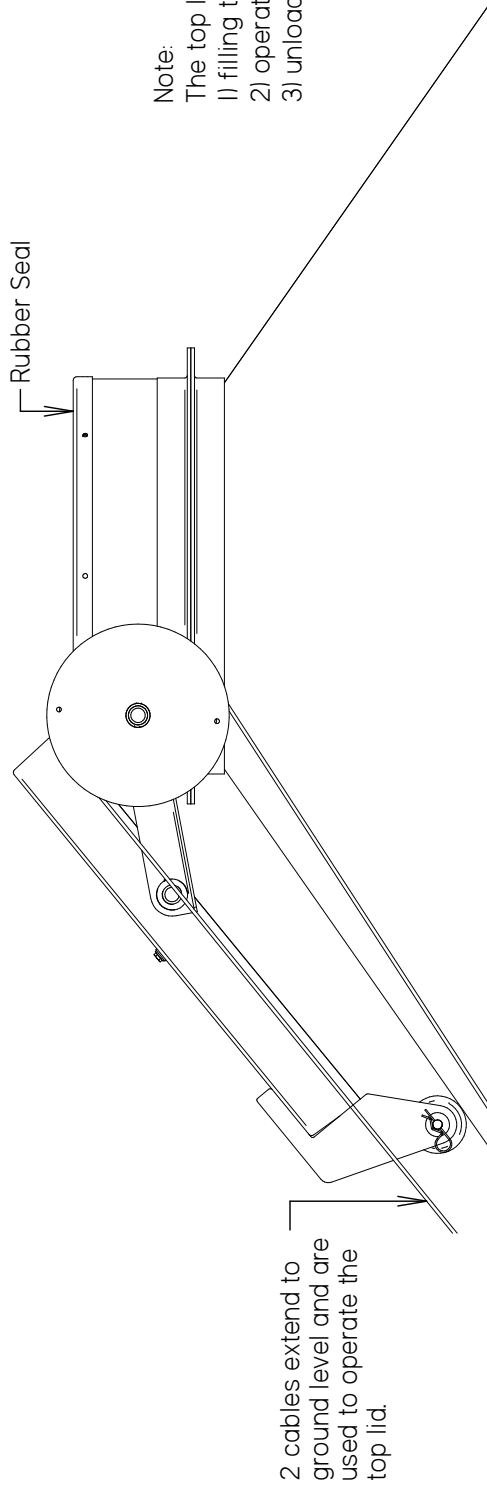
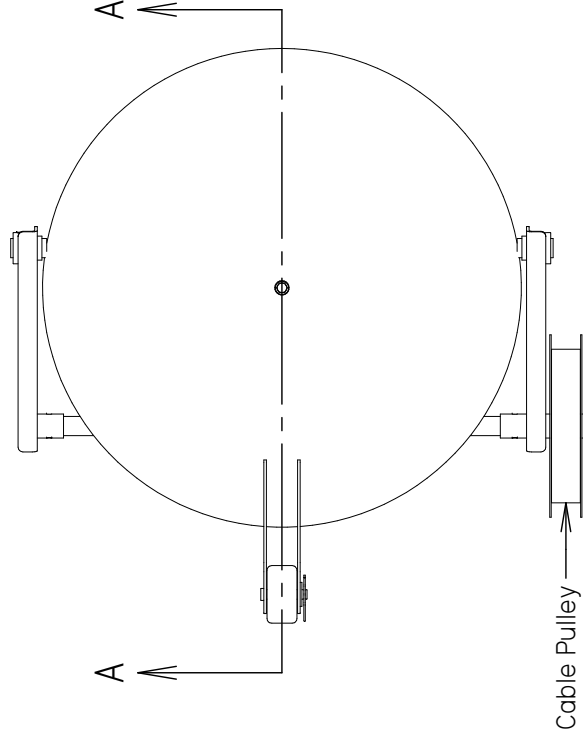
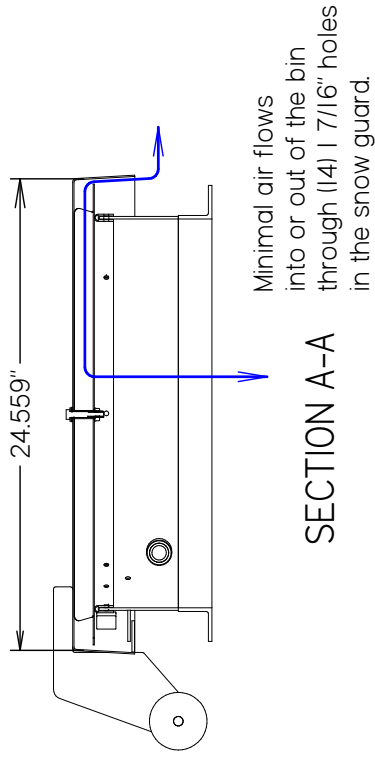


Ground Operated Top Lid



Note:
 1) The top lid should be open when filling the bin
 2) operating the aeration fan
 3) unloading the bin at a high rate

PROPERTY OF:
 BUSHNELL ILLINOIS TANK COMPANY
 ALSO DBA SCHULD / BUSHNELL
 309-772-3106

SCHULD / BUSHNELL
 P.O. BOX 179 • 380 EAST MAIN STREET • BUSHNELL, ILLINOIS 61422
 Ph: 309-772-3106

DRAWN BY:
 R. NORRIS

DATE:
 MAY 20, 2019

Ground Operated Lid, 20" I.D.