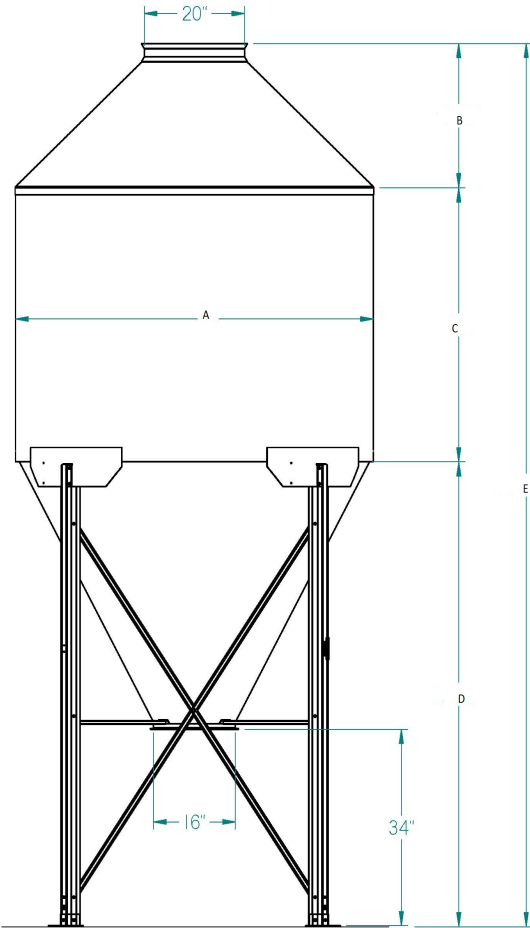


HP60 Bolted Bin Dimensions & Cu. Ft. Capacity



Welded Bin HP60 MODEL	Net Total Cu. Ft	Dimension A	Dimension B	Dimension C	Dimension D	Dimension E
--------------------------------	------------------------	----------------	----------------	----------------	----------------	----------------

HP60 9x3	403	9'	3'-4.7"	3'	9'-3.6"	15'-10"
HP60 9x4	463	9'	3'-4.7"	4'	9'-3.6"	16'-10"
HP60 9x5	523	9'	3'-4.7"	5'	9'-3.6"	17'-10"
HP60 9x6	584	9'	3'-4.7"	6'	9'-3.6"	18'-10"
HP60 9x7	644	9'	3'-4.7"	7'	9'-3.6"	19'-8"
HP60 9x8	705	9'	3'-4.7"	8'	9'-3.6"	20'-8"

9' Diameter				Model HP60 Bolted Bin				42° High Pitch Top Cone (Roof) 60° Bottom Cone (Hopper)			
Model HP60 Bolted Bin	Bin Diameter in Feet	Overall Height	Net Total Cubic Feet	Ton Capacity per Material Weight							
				40 lb/cu ft	Empty Bin Weight	60 lb/cu ft	Empty Bin Weight	80 lb/cu ft	Empty Bin Weight	100 lb/cu ft	Empty Bin Weight
9x3	9.0	15'10"	403.0	8.1	1009.0	12.1	1211.0	N/A	N/A	N/A	N/A
9x4	9.0	16'10"	463.0	9.3	1097.0	13.9	1317.0	N/A	N/A	N/A	N/A
9x5	9.0	17'10"	523.0	10.5	1185.0	15.7	1422.0	N/A	N/A	N/A	N/A
9x6	9.0	18'10"	584.0	11.7	1339.0	17.5	1607.0	N/A	N/A	N/A	N/A
9x7	9.0	19'8"	644.0	12.9	1493.0	19.3	1792.0	N/A	N/A	N/A	N/A
9x8	9.0	20'8"	705.0	14.1	1647.0	21.1	1976.0	N/A	N/A	N/A	N/A