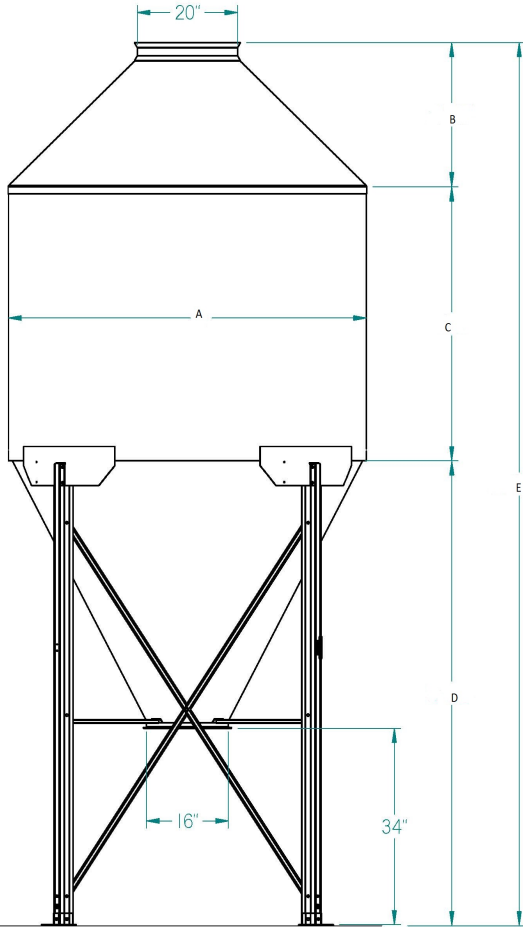


HP60 Bolted Bin Dimensions & Cu. Ft. Capacity



Welded Bin HP60 MODEL	Net Total Cu. Ft	Dimension A	Dimension B	Dimension C	Dimension D	Dimension E
-----------------------	------------------	-------------	-------------	-------------	-------------	-------------

HP60 8x3	297	8'	2'-11.7"	3'	8'-4.6"	14'-5"
HP60 8x4	345	8'	2'-11.7"	4'	8'-4.6"	15'-5"
HP60 8x5	393	8'	2'-11.7"	5'	8'-4.6"	16'-5"
HP60 8x6	440	8'	2'-11.7"	6'	8'-4.6"	17'-5"
HP60 8x7	488	8'	2'-11.7"	7'	8'-4.6"	18'-3"
HP60 8x8	536	8'	2'-11.7"	8'	8'-4.6"	19'-3"
HP60 8x9	584	8'	2'-11.7"	9'	8'-4.6"	20'-3"
HP60 8x10	631	8'	2'-11.7"	10'	8'-4.6"	21'-3"
HP60 8x11	679	8'	2'-11.7"	11'	8'-4.6"	22'-3"
HP60 8x12	727	8'	2'-11.7"	12'	8'-4.6"	23'-3"

8' Diameter				Model HP60 Bolted Bin				42° High Pitch Top Cone (Roof) 60° Bottom Cone (Hopper)			
Model HP60 Bolted Bin	Bin Diameter in Feet	Overall Height	Net Total Cubic Feet	Ton Capacity per Material Weight							
				40 lb/cu ft	Empty Bin Weight	60 lb/cu ft	Empty Bin Weight	80 lb/cu ft	Empty Bin Weight	100 lb/cu ft	Empty Bin Weight
8x3	8.0	14'5"	297.0	5.9	670.0	8.9	804.0	11.9	838.0	14.9	938.0
8x4	8.0	15'5"	345.0	6.9	733.0	10.3	880.0	13.8	924.0	N/A	N/A
8x5	8.0	16'5"	393.0	7.9	796.0	11.8	955.0	15.7	1010.0	N/A	N/A
8x6	8.0	17'5"	440.0	8.8	859.0	13.2	1031.0	N/A	N/A	N/A	N/A
8x7	8.0	18'3"	488.0	9.8	925.0	14.6	1110.0	N/A	N/A	N/A	N/A
8x8	8.0	19'3"	536.0	10.7	991.0	16.1	1189.0	N/A	N/A	N/A	N/A
8x9	8.0	20'3"	584.0	11.7	1057.0	17.5	1268.0	N/A	N/A	N/A	N/A
8x10	8.0	21'3"	631.0	12.6	1123.0	18.9	1348.0	N/A	N/A	N/A	N/A
8x11	8.0	22'3"	679.0	13.6	1189.0	20.4	1427.0	N/A	N/A	N/A	N/A
8x12	8.0	23'3"	727.0	14.5	1253.0	21.8	1504.0	N/A	N/A	N/A	N/A