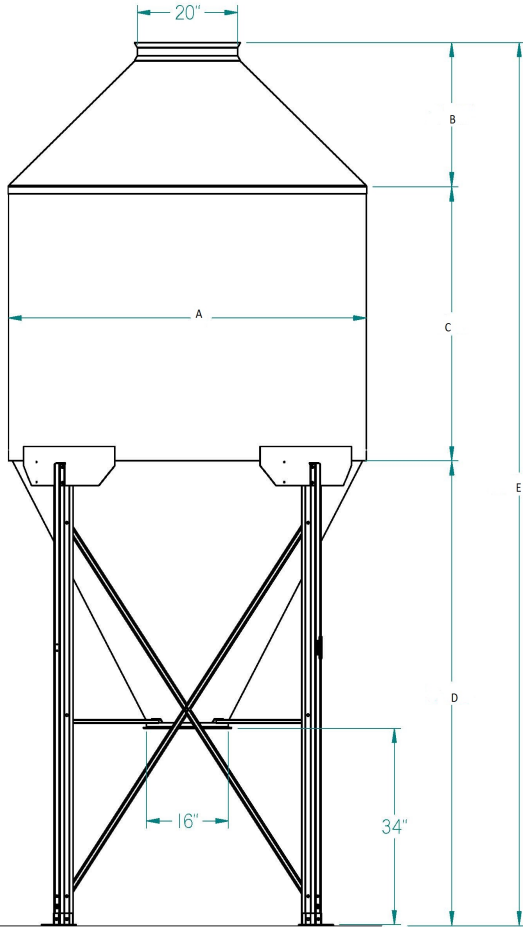


HP60 Bolted Bin Dimensions & Cu. Ft. Capacity



Welded Bin HP60 MODEL	Net Total Cu. Ft	Dimension A	Dimension B	Dimension C	Dimension D	Dimension E
-----------------------	------------------	-------------	-------------	-------------	-------------	-------------

HP60 7x3	211	7'	2'-6.1"	3'	7'-7.4"	13'-2"
HP60 7x4	248	7'	2'-6.1"	4'	7'-7.4"	14'-2"
HP60 7x5	284	7'	2'-6.1"	5'	7'-7.4"	15'-2"
HP60 7x6	321	7'	2'-6.1"	6'	7'-7.4"	16'-2"
HP60 7x7	358	7'	2'-6.1"	7'	7'-7.4"	17'-0"
HP60 7x8	394	7'	2'-6.1"	8'	7'-7.4"	18'-0"
HP60 7x9	431	7'	2'-6.1"	9'	7'-7.4"	19'-0"
HP60 7x10	467	7'	2'-6.1"	10'	7'-7.4"	20'-0"
HP60 7x11	504	7'	2'-6.1"	11'	7'-7.4"	21'-0"
HP60 7x12	540	7'	2'-6.1"	12'	7'-7.4"	22'-0"

7' Diameter				Model HP60 Bolted Bin				42° High Pitch Top Cone (Roof) 60° Bottom Cone (Hopper)			
Model HP60 Bolted Bin	Bin Diameter in Feet	Overall Height	Net Total Cubic Feet	Ton Capacity per Material Weight							
				40 lb/cu ft	Empty Bin Weight	60 lb/cu ft	Empty Bin Weight	80 lb/cu ft	Empty Bin Weight	100 lb/cu ft	Empty Bin Weight
7x3	7.0	13'2"	211.0	4.2	526.0	6.3	631.0	8.5	658.0	10.6	736.0
7x4	7.0	14'2"	248.0	5.0	563.0	7.4	676.0	9.9	709.0	12.4	793.0
7x5	7.0	15'2"	284.0	5.7	600.0	8.5	720.0	11.4	780.0	14.2	850.0
7x6	7.0	16'2"	321.0	6.4	635.0	9.6	762.0	12.8	832.0	16.0	908.0
7x7	7.0	17'	358.0	7.2	719.0	10.7	863.0	14.3	949.0	17.9	1035.0
7x8	7.0	18'	394.0	7.9	781.0	11.8	937.0	15.8	1039.0	19.7	1125.0
7x9	7.0	19'	431.0	8.6	844.0	12.9	1013.0	17.2	1131.0	21.5	1224.0
7x10	7.0	20'	467.0	9.3	908.0	14.0	1090.0	18.7	1226.0	23.4	1317.0
7x11	7.0	21'	504.0	10.1	970.0	15.1	1164.0	20.1	1310.0	25.2	1407.0
7x12	7.0	22'	540.0	10.8	1034	16.2	1241.0	21.6	1396.0	27.0	1510.0