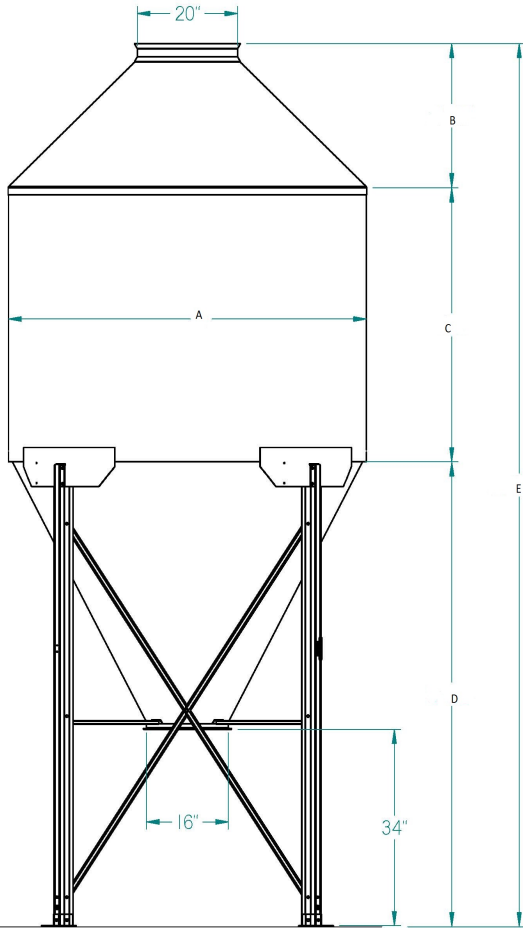


# HP60 Bolted Bin Dimensions & Cu. Ft. Capacity



Welded Bin HP60 MODEL	Net Total Cu. Ft	Dimension A	Dimension B	Dimension C	Dimension D	Dimension E
HP60 4.8x2	73	4.8'	1'-8.1"	2'	5'-11.3"	8'-11"
HP60 4.8x4	107	4.8'	1'-8.1"	4'	5'-11.3"	10'-11"
HP60 4.8x6	141	4.8'	1'-8.1"	6'	5'-11.3"	12'-11"

4.8' Diameter

Model HP60  
Bolted Bin

42° High Pitch Top Cone (Roof)  
60° Bottom Cone (Hopper)

Model HP60 Bolted Bin	Bin Diameter in Feet	Overall Height	Net Total Cubic Feet	Ton Capacity per Material Weight							
				<b>40 lb/cu ft</b>	Empty Bin Weight	<b>60 lb/cu ft</b>	Empty Bin Weight	<b>80 lb/cu ft</b>	Empty Bin Weight	<b>100 lb/cu ft</b>	Empty Bin Weight
4.8x2	4.8	8'11"	73.0	1.5	267.0	2.2	320.0	2.9	334.0	3.7	374.0
4.8x4	4.8	10'11"	107.0	2.1	306.0	3.2	367.0	4.3	377.0	5.4	431.0
4.8x6	4.8	12'11"	141.0	2.8	349.0	4.2	419.0	5.6	429.0	7.1	495.0