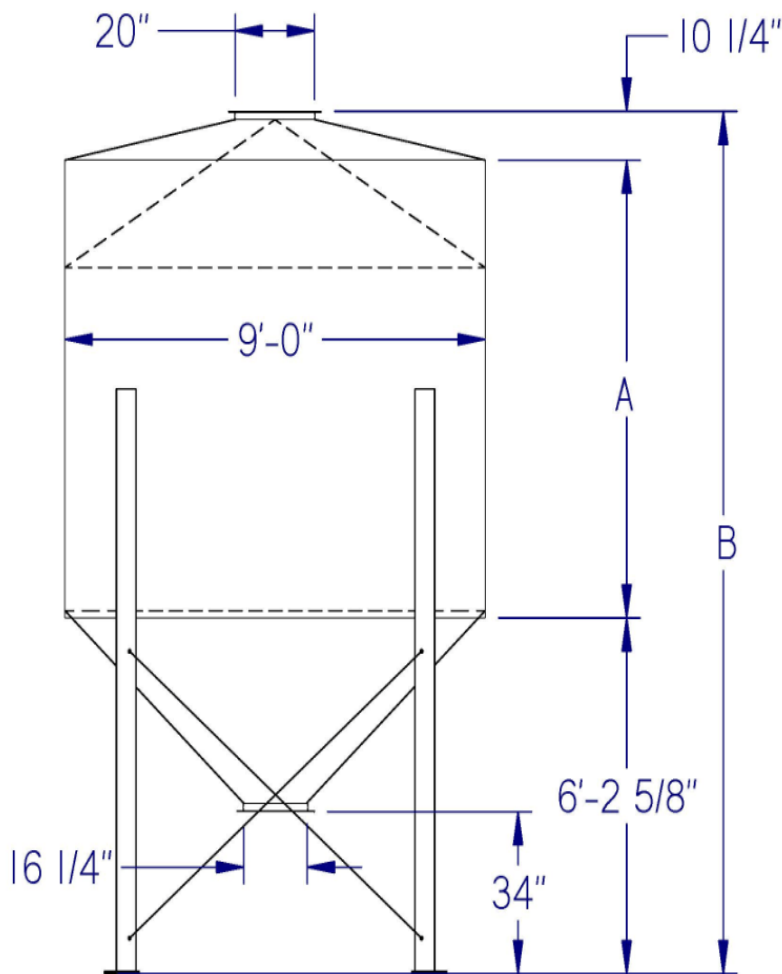


LP45 9' Diameter Dimensions & Cu. Ft. Capacity



Welded Bin LP45 MODEL	Net Total Cu Ft	Dimension "A"	Dimension "B"
LP45 9x8	520	8'	15'-3"
LP45 9x9	580	9'	16'-3"
LP45 9x10	640	10'	17'-3"
LP45 9x11	701	11'	18'-3"
LP45 9x12	761	12'	19'-3"
LP45 9x13	821	13'	20'-3"
LP45 9x14	882	14'	21'-3"
LP45 9x15	942	15'	22'-3"
LP45 9x16	1,003	16'	23'-3"
LP45 9x17	1,063	17'	24'-3"
LP45 9x18	1,123	18'	25'-3"
LP45 9x19	1,184	19'	26'-3"
LP45 9x20	1,244	20'	27'-3"
LP45 9x21	1,304	21'	28'-3"
LP45 9x22	1,365	22'	29'-3"
LP45 9x23	1,425	23'	30'-3"
LP45 9x24	1,486	24'	31'-3"
LP45 9x25	1,546	25'	32'-3"
LP45 9x26	1,606	26'	33'-3"
LP45 9x27	1,667	27'	34'-3"
LP45 9x28	1,727	28'	35'-3"
LP45 9x29	1,788	29'	36'-3"
LP45 9x30	1,848	30'	37'-3"
LP45 9x31	1,908	31'	38'-3"
LP45 9x32	1,969	32'	39'-3"
LP45 9x33	2,029	33'	40'-3"
LP45 9x34	2,089	34'	41'-3"
LP45 9x35	2,150	35'	42'-3"
LP45 9x36	2,210	36'	43'-3"
LP45 9x37	2,271	37'	44'-3"
LP45 9x38	2,331	38'	45'-3"
LP45 9x39	2,391	39'	46'-3"
LP45 9x40	2,452	40'	47'-3"
LP45 9x41	2,512	41'	48'-3"
LP45 9x42	2,572	42'	49'-3"
LP45 9x43	2,633	43'	50'-3"
LP45 9x44	2,693	44'	51'-3"
LP45 9x45	2,754	45'	52'-3"
LP45 9x46	2,814	46'	53'-3"
LP45 9x47	2,874	47'	54'-3"
LP45 9x48	2,935	48'	55'-3"
LP45 9x49	2,995	49'	56'-3"
LP45 9x50	3,055	50'	57'-3"
LP45 9x51	3,116	51'	58'-3"
LP45 9x52	3,176	52'	59'-3"
LP45 9x53	3,237	53'	60'-3"
LP45 9x54	3,297	54'	61'-3"
LP45 9x55	3,357	55'	62'-3"
LP45 9x56	3,418	56'	63'-3"
LP45 9x57	3,478	57'	64'-3"
LP45 9x58	3,539	58'	65'-3"
LP45 9x59	3,599	59'	66'-3"
LP45 9x60	3,659	60'	67'-3"

9' Diameter			Model LP45 Welded Bin				11° Low Pitch Top Cone (Roof) 45° Bottom Cone (Hopper)			
Welded Bin Model LP45	Overall Height	Net Total Cubic Feet	Ton Capacity per Material Weight							
			40 lb/cu ft	Empty Bin Weight	60 lb/cu ft	Empty Bin Weight	80 lb/cu ft	Empty Bin Weight	100 lb/cu ft	Empty Bin Weight
9x8	15'3"	520	10.4	1,810	15.6	1,864	20.8	1,877	26.0	2,190
9x9	16'3"	580	11.6	1,932	17.4	2,014	23.2	2,159	29.0	2,307
9x10	17'3"	640	12.8	2,003	19.2	2,098	25.6	2,243	32.0	2,506
9x11	18'3"	701	14.0	2,095	21.0	2,256	28.0	2,360	35.0	2,676
9x12	19'3"	761	15.2	2,165	22.8	2,341	30.4	2,473	38.1	2,895
9x13	20'3"	821	16.4	2,321	24.6	2,491	32.9	2,730	41.1	3,185
9x14	21'3"	882	17.6	2,494	26.5	2,617	35.3	2,942	44.1	3,377
9x15	22'3"	942	18.8	2,705	28.3	2,801	37.7	3,180	47.1	3,550
9x16	23'3"	1,003	20.1	2,823	30.1	3,012	40.1	3,335	50.1	3,815
9x17	24'3"	1,063	21.3	3,037	31.9	3,180	42.5	3,588	53.1	4,033
9x18	25'3"	1,123	22.5	3,142	33.7	3,319	44.9	3,721	56.2	4,200
9x19	26'3"	1,184	23.7	3,424	35.5	3,554	47.3	3,882	59.2	4,448
9x20	27'3"	1,244	24.9	3,600	37.3	3,730	49.8	3,980	62.2	4,560
9x21	28'3"	1,304	26.1	3,736	39.1	3,892	52.2	4,182	65.2	4,795
9x22	29'3"	1,365	27.3	3,830	40.9	4,007	54.6	4,401	68.2	4,924
9x23	30'3"	1,425	28.5	4,211	42.8	4,411	57.0	4,838	71.3	5,458
9x24	31'3"	1,486	29.7	4,333	44.6	4,511	59.4	4,982	74.3	5,636
9x25	32'3"	1,546	30.9	4,462	46.4	4,633	61.8	5,154	77.3	5,873
9x26	33'3"	1,606	32.1	4,611	48.2	4,768	64.3	5,368	80.3	6,069
9x27	34'3"	1,667	33.3	5,031	50.0	5,095	66.7	5,682	83.3	6,382
9x28	35'3"	1,727	34.5	5,154	51.8	5,215	69.1	5,846	86.4	5,692
9x29	36'3"	1,788	35.8	5,270	53.6	5,532	71.5	6,025	89.4	6,905
9x30	37'3"	1,848	37.0	5,448	55.4	5,711	73.9	6,142	92.4	7,037
9x31	38'3"	1,908	38.2	5,897	57.2	6,009	76.3	6,338	95.4	7,382
9x32	39'3"	1,969	39.4	6,040	59.1	6,072	78.7	6,723	98.4	7,540
9x33	40'3"	2,029	40.6	6,218	60.9	6,345	81.2	6,934	101.5	7,785
9x34	41'3"	2,089	41.8	6,348	62.7	6,475	83.6	7,114	104.5	8,035
9x35	42'3"	2,150	43.0	6,667	64.5	6,845	86.0	7,401	107.5	8,403
9x36	43'3"	2,210	44.2	6,842	66.3	7,032	88.4	7,608	110.5	8,594
9x37	44'3"	2,271	45.4	7,376	68.1	7,503	90.8	7,726	113.5	8,747
9x38	45'3"	2,331	46.6	7,509	69.9	7,636	93.2	7,907	116.5	9,320
9x39	46'3"	2,391	47.8	7,856	71.7	7,916	95.7	8,313	119.6	9,633
9x40	47'3"	2,452	49.0	7,975	73.6	8,041	98.1	8,391	122.6	9,789
9x41	48'3"	2,512	50.2	8,152	75.4	8,258	100.5	8,611	125.6	9,966
9x42	49'3"	2,572	51.4	8,332	77.2	8,501	102.9	9,104	128.6	10,146
9x43	50'3"	2,633	52.7	8,517	79.0	8,731	105.3	9,339	131.6	10,329
9x44	51'3"	2,693	53.9	8,706	80.8	8,967	107.7	9,581	134.7	10,732
9x45	52'3"	2,754	55.1	9,034	82.6	9,600	110.1	9,944	137.7	11,038
9x46	53'3"	2,814	56.3	9,232	84.4	9,852	112.6	10,199	140.7	11,235
9x47	54'3"	2,874	57.5	9,715	86.2	10,113	115.0	10,462	143.7	11,434
9x48	55'3"	2,935	58.7	9,925	88.0	10,381	117.4	10,959	146.7	11,637
9x49	56'3"	2,995	59.9	10,139	89.9	10,656	119.8	11,240	149.8	11,845
9x50	57'3"	3,055	61.1	10,359	91.7	10,940	122.2	11,528	152.8	12,230
9x51	58'3"	3,116	62.3	10,584	93.5	11,232	124.6	11,825	155.8	12,446
9x52	59'3"	3,176	63.5	10,813	95.3	11,770	127.1	12,129	158.8	12,667
9x53	60'3"	3,237	64.7	11,049	97.1	12,083	129.5	12,623	161.8	12,891
9x54	61'3"	3,297	65.9	11,533	98.9	12,404	131.9	12,948	164.9	13,732
9x55	62'3"	3,357	67.1	11,783	100.7	12,735	134.3	13,282	167.9	14,101
9x56	63'3"	3,418	68.4	12,037	102.5	13,075	136.7	13,624	170.9	14,481
9x57	64'3"	3,478	69.6	12,298	104.3	13,615	139.1	13,977	173.9	14,872
9x58	65'3"	3,539	70.8	12,564	106.2	13,977	141.5	14,848	176.9	15,275
9x59	66'3"	3,599	72.0	12,837	108.0	14,350	144.0	15,227	179.9	15,691
9x60	67'3"	3,659	73.2	13,311	109.8	14,733	146.4	15,616	183.0	16,119