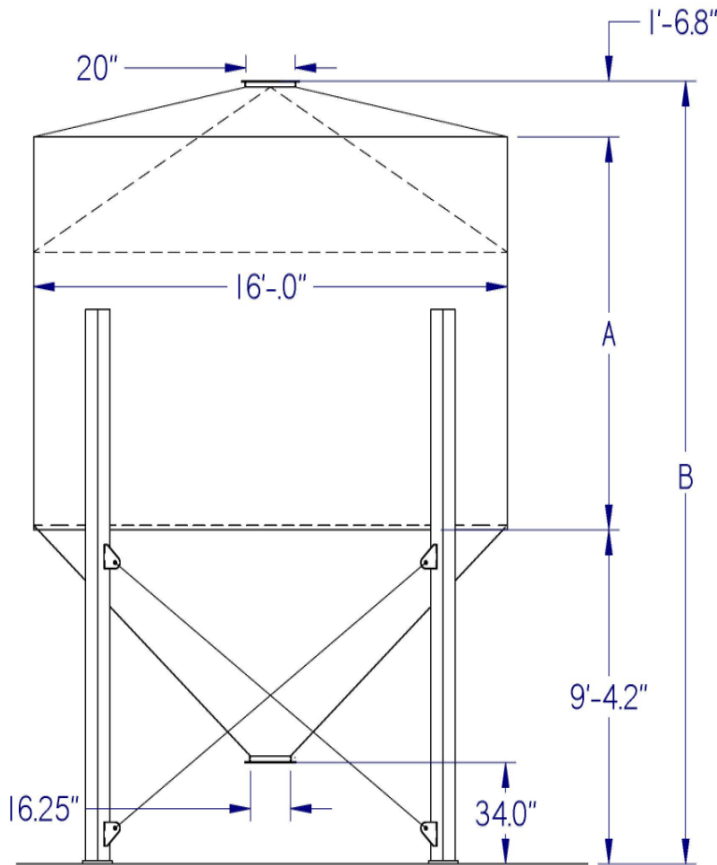


# LP45 16' Diameter Dimensions & Cu. Ft. Capacity



Welded Bin LP45 MODEL	Net Total Cu Ft	Dimension "A"	Dimension "B"
LP45 16x10	2,230	10'	20'-11"
LP45 16x11	2,431	11'	21'-11"
LP45 16x12	2,632	12'	22'-11"
LP45 16x13	2,833	13'	23'-11"
LP45 16x14	3,034	14'	24'-11"
LP45 16x15	3,235	15'	25'-11"
LP45 16x16	3,436	16'	26'-11"
LP45 16x17	3,637	17'	27'-11"
LP45 16x18	3,838	18'	28'-11"
LP45 16x19	4,039	19'	29'-11"
LP45 16x20	4,240	20'	30'-11"
LP45 16x21	4,441	21'	31'-11"
LP45 16x22	4,642	22'	32'-11"
LP45 16x23	4,843	23'	33'-11"
LP45 16x24	5,044	24'	34'-11"
LP45 16x25	5,245	25'	35'-11"
LP45 16x26	5,446	26'	36'-11"
LP45 16x27	5,647	27'	37'-11"
LP45 16x28	5,848	28'	38'-11"
LP45 16x29	6,049	29'	39'-11"
LP45 16x30	6,250	30'	40'-11"
LP45 16x31	6,451	31'	41'-11"
LP45 16x32	6,652	32'	42'-11"
LP45 16x33	6,853	33'	43'-11"
LP45 16x34	7,054	34'	44'-11"
LP45 16x35	7,255	35'	45'-11"
LP45 16x36	7,456	36'	46'-11"
LP45 16x37	7,657	37'	47'-11"
LP45 16x38	7,858	38'	48'-11"
LP45 16x39	8,059	39'	49'-11"
LP45 16x40	8,260	40'	50'-11"

