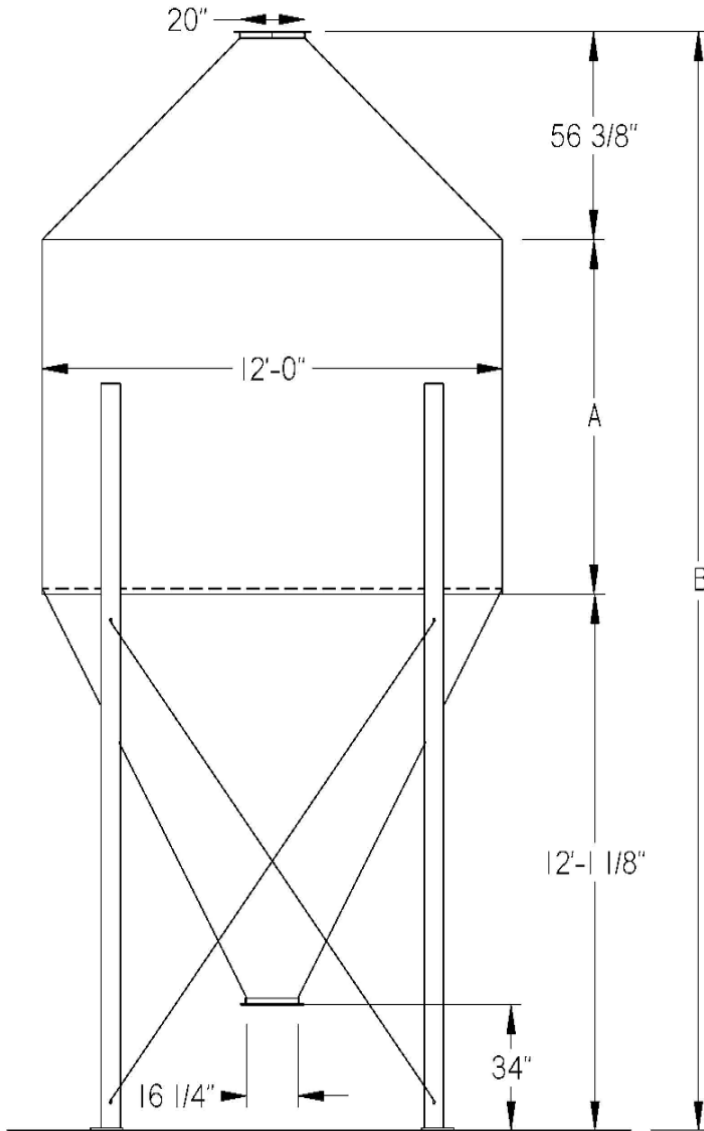


# HP60 12' Diameter Dimensions & Cu. Ft. Capacity



Welded Bin HP60 MODEL	Net Total Cu Ft	Dimension "A"	Dimension "B"
HP60 12x8	1,438	8'	24'-9"
HP60 12x9	1,548	9'	25'-9"
HP60 12x10	1,659	10'	26'-9"
HP60 12x11	1,769	11'	27'-9"
HP60 12x12	1,879	12'	28'-9"
HP60 12x13	1,989	13'	29'-9"
HP60 12x14	2,100	14'	30'-9"
HP60 12x15	2,210	15'	31'-9"
HP60 12x16	2,320	16'	32'-9"
HP60 12x17	2,431	17'	33'-9"
HP60 12x18	2,541	18'	34'-9"
HP60 12x19	2,651	19'	35'-9"
HP60 12x20	2,761	20'	36'-9"
HP60 12x21	2,872	21'	37'-9"
HP60 12x22	2,982	22'	38'-9"
HP60 12x23	3,092	23'	39'-9"
HP60 12x24	3,203	24'	40'-9"
HP60 12x25	3,313	25'	41'-9"
HP60 12x26	3,423	26'	42'-9"
HP60 12x27	3,534	27'	43'-9"
HP60 12x28	3,644	28'	44'-9"
HP60 12x29	3,754	29'	45'-9"
HP60 12x30	3,864	30'	46'-9"
HP60 12x31	3,975	31'	47'-9"
HP60 12x32	4,085	32'	48'-9"
HP60 12x33	4,195	33'	49'-9"
HP60 12x34	4,306	34'	50'-9"
HP60 12x35	4,416	35'	51'-9"
HP60 12x36	4,526	36'	52'-9"
HP60 12x37	4,636	37'	53'-9"
HP60 12x38	4,747	38'	54'-9"
HP60 12x39	4,857	39'	55'-9"
HP60 12x40	4,967	40'	56'-9"
HP60 12x41	5,078	41'	57'-9"
HP60 12x42	5,188	42'	58'-9"
HP60 12x43	5,298	43'	59'-9"
HP60 12x44	5,408	44'	60'-9"
HP60 12x45	5,519	45'	61'-9"
HP60 12x46	5,629	46'	62'-9"
HP60 12x47	5,739	47'	63'-9"
HP60 12x48	5,850	48'	64'-9"
HP60 12x49	5,960	49'	65'-9"
HP60 12x50	6,070	50'	66'-9"
HP60 12x51	6,180	51'	67'-9"
HP60 12x52	6,291	52'	68'-9"
HP60 12x53	6,401	53'	69'-9"
HP60 12x54	6,511	54'	70'-9"
HP60 12x55	6,622	55'	71'-9"
HP60 12x56	6,732	56'	72'-9"
HP60 12x57	6,842	57'	73'-9"
HP60 12x58	6,952	58'	74'-9"
HP60 12x59	7,063	59'	75'-9"
HP60 12x60	7,173	60'	76'-9"

