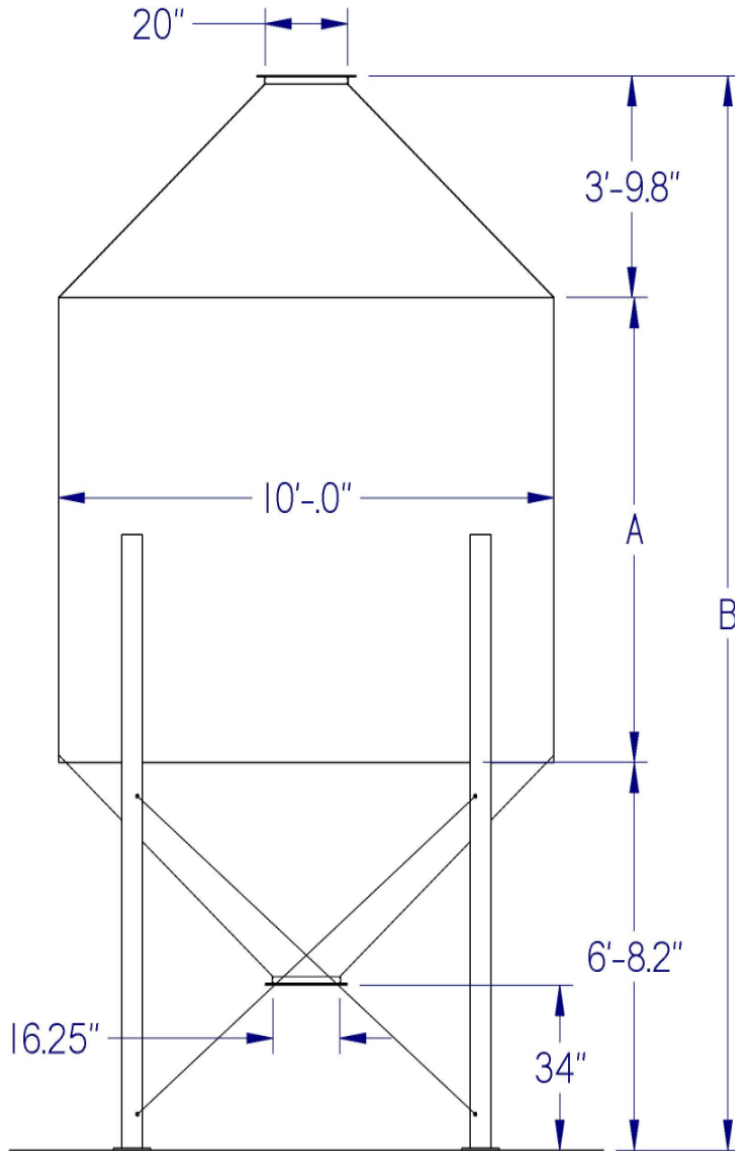


# HP45 10' Diameter Dimensions & Cu. Ft. Capacity



Welded Bin HP45 MODEL	Net Total Cu Ft	Dimension "A"	Dimension "B"
HP45 10x8	815	8'	18'-6"
HP45 10x9	894	9'	19'-6"
HP45 10x10	973	10'	20'-6"
HP45 10x11	1,052	11'	21'-6"
HP45 10x12	1,131	12'	22'-6"
HP45 10x13	1,210	13'	23'-6"
HP45 10x14	1,289	14'	24'-6"
HP45 10x15	1,368	15'	25'-6"
HP45 10x16	1,447	16'	26'-6"
HP45 10x17	1,526	17'	27'-6"
HP45 10x18	1,605	18'	28'-6"
HP45 10x19	1,684	19'	29'-6"
HP45 10x20	1,763	20'	30'-6"
HP45 10x21	1,842	21'	31'-6"
HP45 10x22	1,921	22'	32'-6"
HP45 10x23	2,000	23'	33'-6"
HP45 10x24	2,079	24'	34'-6"
HP45 10x25	2,158	25'	35'-6"
HP45 10x26	2,237	26'	36'-6"
HP45 10x27	2,316	27'	37'-6"
HP45 10x28	2,395	28'	38'-6"
HP45 10x29	2,474	29'	39'-6"
HP45 10x30	2,553	30'	40'-6"
HP45 10x31	2,632	31'	41'-6"
HP45 10x32	2,711	32'	42'-6"
HP45 10x33	2,790	33'	43'-6"
HP45 10x34	2,869	34'	44'-6"
HP45 10x35	2,948	35'	45'-6"
HP45 10x36	3,027	36'	46'-6"
HP45 10x37	3,106	37'	47'-6"
HP45 10x38	3,185	38'	48'-6"
HP45 10x39	3,264	39'	49'-6"
HP45 10x40	3,343	40'	50'-6"
HP45 10x41	3,422	41'	51'-6"
HP45 10x42	3,501	42'	52'-6"
HP45 10x43	3,580	43'	53'-6"
HP45 10x44	3,659	44'	54'-6"
HP45 10x45	3,738	45'	55'-6"
HP45 10x46	3,817	46'	56'-6"
HP45 10x47	3,896	47'	57'-3"
HP45 10x48	3,975	48'	58'-6"
HP45 10x49	4,054	49'	59'-6"
HP45 10x50	4,133	50'	60'-6"
HP45 10x51	4,212	51'	61'-6"
HP45 10x52	4,291	52'	62'-6"
HP45 10x53	4,370	53'	63'-6"
HP45 10x54	4,449	54'	64'-6"
HP45 10x55	4,528	55'	65'-6"
HP45 10x56	4,607	56'	66'-6"
HP45 10x57	4,686	57'	67'-6"
HP45 10x58	4,765	58'	68'-6"
HP45 10x59	4,844	59'	69'-6"
HP45 10x60	4,923	60'	70'-6"

**10' Diameter**

Model HP45  
Welded Bin

42° High Pitch Top Cone (Roof)  
45° Bottom Cone (Hopper)

Welded Bin Model	Overall Height	Net Total Cubic Feet	Ton Capacity per Material Weight							
			40 lb/cu ft	Empty Bin Weight	60 lb/cu ft	Empty Bin Weight	80 lb/cu ft	Empty Bin Weight	100 lb/cu ft	Empty Bin Weight
10x8	18'2"	815	16.3	2,039	24.5	2,325	32.6	2,594	40.8	3,024
10x9	19'6"	894	17.9	2,162	26.8	2,501	35.8	2,819	44.7	3,330
10x10	20'6"	973	19.5	2,483	29.2	2,773	38.9	3,051	48.7	3,612
10x11	21'6"	1,052	21.0	2,583	31.6	2,897	42.1	3,252	52.6	3,827
10x12	22'6"	1,131	22.6	2,743	33.9	3,190	45.2	3,501	56.6	4,115
10x13	23'6"	1,210	24.2	3,210	36.3	3,498	48.4	3,867	60.5	4,616
10x14	24'6"	1,289	25.8	3,311	38.7	3,733	51.6	4,162	64.5	4,883
10x15	25'6"	1,368	27.4	3,537	41.0	3,915	54.7	4,352	68.4	5,164
10x16	26'6"	1,447	28.9	3,719	43.4	4,151	57.9	4,717	72.4	5,425
10x17	27'6"	1,526	30.5	3,940	45.8	4,415	61.0	4,872	76.3	5,856
10x18	28'6"	1,605	32.1	4,130	48.2	4,682	64.2	5,122	80.3	6,080
10x19	29'6"	1,684	33.7	4,341	50.5	4,981	67.4	5,501	84.2	6,459
10x20	30'6"	1,763	35.3	4,739	52.9	5,138	70.5	5,714	88.2	6,624
10x21	31'6"	1,842	36.8	4,860	55.3	5,431	73.7	5,937	92.1	6,928
10x22	32'6"	1,921	38.4	5,130	57.6	5,771	76.8	6,122	96.1	7,439
10x23	33'6"	2,000	40.0	5,418	60.0	6,221	80.0	6,621	100.0	7,878
10x24	34'6"	2,079	41.6	5,797	62.4	6,458	83.2	6,801	104.0	8,060
10x25	35'6"	2,158	43.2	5,967	64.7	6,554	86.3	7,434	107.9	8,301
10x26	36'6"	2,237	44.7	6,373	67.1	6,852	89.5	7,655	111.9	8,666
10x27	37'6"	2,316	46.3	6,589	69.5	7,047	92.6	8,134	115.8	9,043
10x28	38'6"	2,395	47.9	6,834	71.9	7,250	95.8	8,313	119.8	9,178
10x29	39'6"	2,474	49.5	7,142	74.2	7,680	99.0	8,461	123.7	9,416
10x30	40'6"	2,553	51.1	7,771	76.6	8,002	102.1	8,709	127.7	9,659
10x31	41'6"	2,632	52.6	7,919	79.0	8,317	105.3	9,163	131.6	10,301
10x32	42'6"	2,711	54.2	8,258	81.3	8,463	108.4	9,358	135.6	10,552
10x33	43'6"	2,790	55.8	8,453	83.7	8,712	111.6	9,721	139.5	10,898
10x34	44'6"	2,869	57.4	8,836	86.1	8,929	114.8	10,207	143.5	11,080
10x35	45'6"	2,948	59.0	9,007	88.4	9,548	117.9	10,533	147.4	11,523
10x36	46'6"	3,027	60.5	9,274	90.8	9,630	121.1	10,767	151.4	12,060
10x37	47'6"	3,106	62.1	9,650	93.2	9,920	124.2	11,075	155.3	12,416
10x38	48'6"	3,185	63.7	9,840	95.6	10,155	127.4	11,319	159.3	12,600
10x39	49'6"	3,264	65.3	10,002	97.9	7,859	130.6	11,738	163.2	12,998
10x40	50'6"	3,343	66.9	10,546	100.3	7,939	133.7	12,252	167.2	13,304
10x41	51'6"	3,422	68.4	11,033	102.7	11,271	136.9	12,538	N/A	N/A
10x42	52'6"	3,501	70.0	11,358	105.0	11,503	140.0	12,848	N/A	N/A
10x43	53'6"	3,580	71.6	11,580	107.4	11,922	143.2	13,172	N/A	N/A
10x44	54'6"	3,659	73.2	11,771	109.8	11,971	146.4	13,404	N/A	N/A
10x45	55'6"	3,738	74.8	12,280	112.1	12,739	149.5	13,937	N/A	N/A
10x46	56'6"	3,817	76.3	12,435	114.5	12,974	152.7	14,149	N/A	N/A
10x47	57'3"	3,896	77.9	12,906	116.9	13,363	155.8	14,673	N/A	N/A
10x48	58'6"	3,975	79.5	13,204	119.3	13,677	159.0	15,002	N/A	N/A
10x49	59'6"	4,054	81.1	13,673	121.6	14,389	162.2	15,261	N/A	N/A
10x50	60'6"	4,133	82.7	14,074	124.0	15,202	165.3	15,538	N/A	N/A
10x51	61'6"	4,212	84.2	14,551	126.4	15,528	168.5	16,765	N/A	N/A
10x52	62'6"	4,291	85.8	15,249	128.7	15,897	N/A	N/A	N/A	N/A
10x53	63'6"	4,370	87.4	15,695	131.1	16,238	N/A	N/A	N/A	N/A
10x54	64'6"	4,449	89.0	16,157	133.5	16,588	N/A	N/A	N/A	N/A
10x55	65'6"	4,528	90.6	16,633	135.8	17,811	N/A	N/A	N/A	N/A
10x56	66'6"	4,607	92.1	17,126	138.2	18,183	N/A	N/A	N/A	N/A
10x57	67'6"	4,686	93.7	17,634	140.6	18,563	N/A	N/A	N/A	N/A
10x58	68'6"	4,765	95.3	19,044	143.0	18,952	N/A	N/A	N/A	N/A
10x59	69'6"	4,844	96.9	19,593	145.3	19,350	N/A	N/A	N/A	N/A
10x60	70'6"	4,923	98.5	20,160	147.7	19,757	N/A	N/A	N/A	N/A