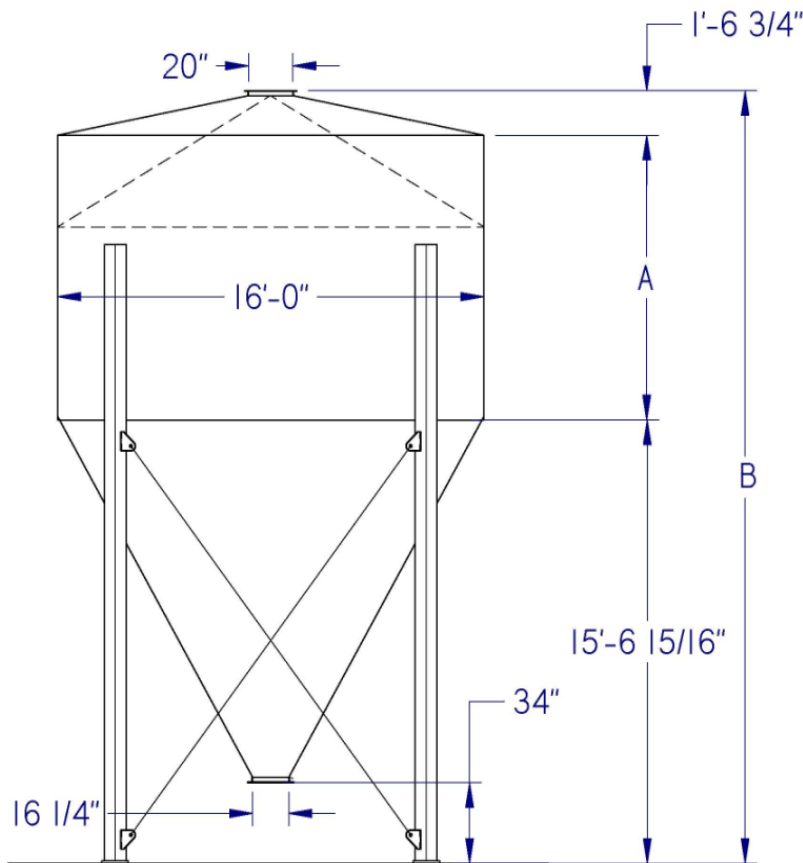


LP60 16' Diameter Dimensions & Cu. Ft. Capacity



Welded Bin LP60 MODEL	Net Total Cu Ft	Dimension "A"	Dimension "B"
LP60 16x10	2,535	10'	27'-1"
LP60 16x11	2,736	11'	28'-1"
LP60 16x12	2,937	12'	29'-1"
LP60 16x13	3,138	13'	30'-1"
LP60 16x14	3,339	14'	31'-1"
LP60 16x15	3,540	15'	32'-1"
LP60 16x16	3,741	16'	33'-1"
LP60 16x17	3,942	17'	34'-1"
LP60 16x18	4,143	18'	35'-1"
LP60 16x19	4,344	19'	36'-1"
LP60 16x20	4,545	20'	37'-1"
LP60 16x21	4,746	21'	38'-1"
LP60 16x22	4,947	22'	39'-1"
LP60 16x23	5,148	23'	40'-1"
LP60 16x24	5,349	24'	41'-1"
LP60 16x25	5,550	25'	42'-1"
LP60 16x26	5,751	26'	43'-1"
LP60 16x27	5,952	27'	44'-1"
LP60 16x28	6,153	28'	45'-1"
LP60 16x29	6,354	29'	46'-1"
LP60 16x30	6,555	30'	47'-1"
LP60 16x31	6,756	31'	48'-1"
LP60 16x32	6,957	32'	49'-1"
LP60 16x33	7,158	33'	50'-1"
LP60 16x34	7,359	34'	51'-1"
LP60 16x35	7,560	35'	52'-1"
LP60 16x36	7,761	36'	53'-1"
LP60 16x37	7,962	37'	54'-1"
LP60 16x38	8,163	38'	55'-1"
LP60 16x39	8,364	39'	56'-1"
LP60 16x40	8,565	40'	56'-7"

