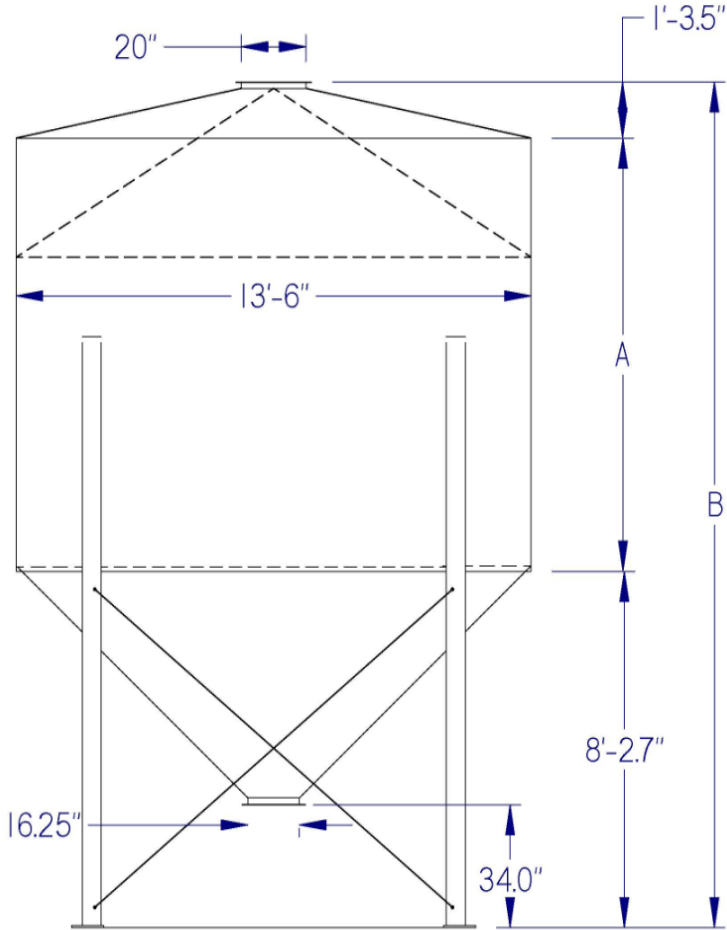


LP45 13.5' Diameter Dimensions & Cu. Ft. Capacity



Welded Bin LP45 MODEL	Net Total Cu Ft	Dimension "A"	Dimension "B"
LP45 13.5x10	1,550	10'	19'-9"
LP45 13.5x11	1,693	11'	20'-9"
LP45 13.5x12	1,836	12'	21'-9"
LP45 13.5x13	1,979	13'	22'-9"
LP45 13.5x14	2,121	14'	23'-9"
LP45 13.5x15	2,264	15'	24'-9"
LP45 13.5x16	2,407	16'	25'-9"
LP45 13.5x17	2,550	17'	26'-9"
LP45 13.5x18	2,693	18'	27'-9"
LP45 13.5x19	2,836	19'	28'-9"
LP45 13.5x20	2,979	20'	29'-9"
LP45 13.5x21	3,122	21'	30'-9"
LP45 13.5x22	3,265	22'	31'-9"
LP45 13.5x23	3,408	23'	32'-9"
LP45 13.5x24	3,550	24'	33'-9"
LP45 13.5x25	3,693	25'	34'-9"
LP45 13.5x26	3,836	26'	35'-9"
LP45 13.5x27	3,979	27'	36'-9"
LP45 13.5x28	4,122	28'	37'-9"
LP45 13.5x29	4,265	29'	38'-9"
LP45 13.5x30	4,408	30'	39'-9"
LP45 13.5x31	4,551	31'	40'-9"
LP45 13.5x32	4,694	32'	41'-9"
LP45 13.5x33	4,837	33'	42'-9"
LP45 13.5x34	4,979	34'	43'-9"
LP45 13.5x35	5,122	35'	44'-9"
LP45 13.5x36	5,265	36'	45'-9"
LP45 13.5x37	5,408	37'	46'-9"
LP45 13.5x38	5,551	38'	47'-9"
LP45 13.5x39	5,694	39'	48'-9"
LP45 13.5x40	5,837	40'	49'-9"
LP45 13.5x41	5,980	41'	50'-9"
LP45 13.5x42	6,123	42'	51'-9"
LP45 13.5x43	6,266	43'	52'-9"
LP45 13.5x44	6,408	44'	53'-9"
LP45 13.5x45	6,551	45'	54'-9"
LP45 13.5x46	6,694	46'	55'-9"
LP45 13.5x47	6,837	47'	56'-9"
LP45 13.5x48	6,980	48'	57'-9"
LP45 13.5x49	7,123	49'	58'-9"
LP45 13.5x50	7,266	50'	59'-9"

