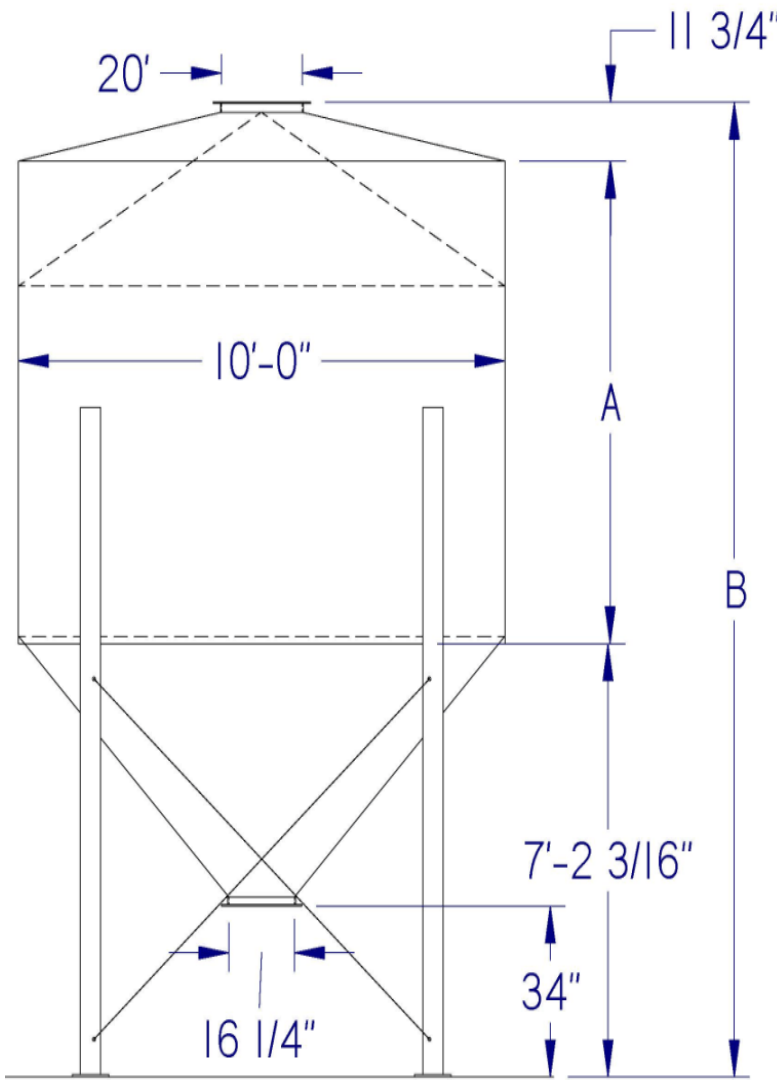


LP45 10' Diameter Dimensions & Cu. Ft. Capacity



Welded Bin LP45 MODEL	Net Total Cu Ft	Dimension "A"	Dimension "B"
LP45 10x8	580	8'	16'-3"
LP45 10x9	659	9'	17'-3"
LP45 10x10	737	10'	18'-3"
LP45 10x11	817	11'	19'-3"
LP45 10x12	894	12'	20'-3"
LP45 10x13	973	13'	21'-3"
LP45 10x14	1,051	14'	22'-3"
LP45 10x15	1,130	15'	23'-3"
LP45 10x16	1,208	16'	24'-3"
LP45 10x17	1,287	17'	25'-3"
LP45 10x18	1,366	18'	26'-3"
LP45 10x19	1,444	19'	27'-3"
LP45 10x20	1,523	20'	28'-3"
LP45 10x21	1,601	21'	29'-3"
LP45 10x22	1,680	22'	30'-3"
LP45 10x23	1,758	23'	31'-3"
LP45 10x24	1,837	24'	32'-3"
LP45 10x25	1,915	25'	33'-3"
LP45 10x26	1,994	26'	34'-3"
LP45 10x27	2,072	27'	35'-3"
LP45 10x28	2,151	28'	36'-3"
LP45 10x29	2,230	29'	37'-3"
LP45 10x30	2,308	30'	38'-3"
LP45 10x31	2,387	31'	39'-3"
LP45 10x32	2,465	32'	40'-3"
LP45 10x33	2,544	33'	41'-3"
LP45 10x34	2,622	34'	42'-3"
LP45 10x35	2,701	35'	43'-3"
LP45 10x36	2,779	36'	44'-3"
LP45 10x37	2,858	37'	45'-3"
LP45 10x38	2,936	38'	46'-3"
LP45 10x39	3,015	39'	47'-3"
LP45 10x40	3,093	40'	48'-3"
LP45 10x41	3,172	41'	49'-3"
LP45 10x42	3,251	42'	50'-3"
LP45 10x43	3,329	43'	51'-3"
LP45 10x44	3,408	44'	52'-3"
LP45 10x45	3,486	45'	53'-3"
LP45 10x46	3,565	46'	54'-3"
LP45 10x47	3,643	47'	55'-3"
LP45 10x48	3,722	48'	56'-3"
LP45 10x49	3,800	49'	57'-3"
LP45 10x50	3,879	50'	58'-3"
LP45 10x51	3,957	51'	59'-3"
LP45 10x52	4,036	52'	60'-3"
LP45 10x53	4,114	53'	61'-3"
LP45 10x54	4,193	54'	62'-3"
LP45 10x55	4,272	55'	63'-3"
LP45 10x56	4,350	56'	64'-3"
LP45 10x57	4,429	57'	65'-3"
LP45 10x58	4,507	58'	66'-3"
LP45 10x59	4,586	59'	67'-3"
LP45 10x60	4,664	60'	68'-3"

10' Diameter			Model LP45 Welded Bin		11° Low Pitch Top Cone (Roof) 45° Bottom Cone (Hopper)					
Welded Bin Model LP45	Overall Height	Net Total Cubic Feet	Ton Capacity per Material Weight							
			40 lb/cu ft	Empty Bin Weight	60 lb/cu ft	Empty Bin Weight	80 lb/cu ft	Empty Bin Weight	100 lb/cu ft	Empty Bin Weight
10x8	16'3"	580	11.6	2,358	17.4	2,644	23.2	2,913	29.0	3,343
10x9	17'3"	659	13.2	2,481	19.8	2,820	26.3	3,138	32.9	3,649
10x10	18'3"	737	14.7	2,802	22.1	3,092	29.5	3,370	36.9	3,931
10x11	19'3"	817	16.3	2,902	24.5	3,216	32.6	3,571	40.8	4,146
10x12	20'3"	894	17.9	3,062	26.8	3,509	35.8	3,820	44.7	4,434
10x13	21'3"	973	19.5	3,529	29.2	3,817	38.9	4,186	48.6	4,935
10x14	22'3"	1,051	21.0	3,630	31.5	4,052	42.1	4,481	52.6	5,202
10x15	23'3"	1,130	22.6	3,856	33.9	4,234	45.2	4,671	56.5	5,483
10x16	24'3"	1,208	24.2	4,038	36.3	4,470	48.3	5,036	60.4	5,744
10x17	25'3"	1,287	25.7	4,259	38.6	4,734	51.5	5,191	64.4	6,175
10x18	26'3"	1,366	27.3	4,449	41.0	5,001	54.6	5,441	68.3	6,399
10x19	27'3"	1,444	28.9	4,660	43.3	5,300	57.8	5,820	72.2	6,778
10x20	28'3"	1,523	30.5	5,058	45.7	5,457	60.9	6,033	76.1	6,943
10x21	29'3"	1,601	32.0	5,179	48.0	5,750	64.0	6,256	80.1	7,247
10x22	30'3"	1,680	33.6	5,449	50.4	6,090	67.2	6,441	84.0	7,758
10x23	31'3"	1,758	35.2	5,737	52.7	6,540	70.3	6,940	87.9	8,197
10x24	32'3"	1,837	36.7	6,116	55.1	6,777	73.5	7,120	91.8	8,379
10x25	33'3"	1,915	38.3	6,286	57.5	6,873	76.6	7,753	95.8	8,620
10x26	34'3"	1,994	39.9	6,692	59.8	7,171	79.8	7,974	99.7	8,985
10x27	35'3"	2,072	41.4	6,908	62.2	7,366	82.9	8,453	103.6	9,362
10x28	36'3"	2,151	43.0	7,153	64.5	7,569	86.0	8,632	107.5	9,497
10x29	37'3"	2,230	44.6	7,461	66.9	7,999	89.2	8,780	111.5	9,735
10x30	38'3"	2,308	46.2	8,090	69.2	8,321	92.3	9,028	115.4	9,978
10x31	39'3"	2,387	47.7	8,238	71.6	8,636	95.5	9,482	119.3	10,620
10x32	40'3"	2,465	49.3	8,577	74.0	8,782	98.6	9,677	123.3	10,871
10x33	41'3"	2,544	50.9	8,772	76.3	9,031	101.7	10,040	127.2	11,217
10x34	42'3"	2,622	52.4	9,155	78.7	9,248	104.9	10,526	131.1	11,399
10x35	43'3"	2,701	54.0	9,326	81.0	9,867	108.0	10,852	135.0	11,842
10x36	44'3"	2,779	55.6	9,593	83.4	9,949	111.2	11,086	139.0	12,379
10x37	45'3"	2,858	57.2	9,969	85.7	10,239	114.3	11,394	142.9	12,735
10x38	46'3"	2,936	58.7	10,159	88.1	10,474	117.5	11,638	146.8	12,919
10x39	47'3"	3,015	60.3	10,321	90.4	8,178	120.6	12,057	150.7	13,317
10x40	48'3"	3,093	61.9	10,865	92.8	8,258	123.7	12,571	154.7	14,013
10x41	49'3"	3,172	63.4	11,352	95.2	11,590	126.9	12,857	158.6	14,410
10x42	50'3"	3,251	65.0	11,677	97.5	11,822	130.0	13,167	162.5	14,593
10x43	51'3"	3,329	66.6	11,899	99.9	12,241	133.2	13,491	166.5	14,929
10x44	52'3"	3,408	68.2	12,090	102.2	12,290	136.3	13,723	N/A	N/A
10x45	53'3"	3,486	69.7	12,599	104.6	13,058	139.4	14,256	N/A	N/A
10x46	54'3"	3,565	71.3	12,754	106.9	13,293	142.6	14,468	N/A	N/A
10x47	55'3"	3,643	72.9	13,225	109.3	13,682	145.7	14,992	N/A	N/A
10x48	56'3"	3,722	74.4	13,523	111.7	13,996	148.9	15,321	N/A	N/A
10x49	57'3"	3,800	76.0	13,992	114.0	14,708	152.0	15,580	N/A	N/A
10x50	58'3"	3,879	77.6	14,393	116.4	15,521	155.2	15,857	N/A	N/A
10x51	59'3"	3,957	79.1	14,870	118.7	15,847	158.3	17,084	N/A	N/A
10x52	60'3"	4,036	80.7	15,568	121.1	16,216	161.4	N/A	N/A	N/A
10x53	61'3"	4,114	82.3	16,014	123.4	16,557	164.6	N/A	N/A	N/A
10x54	62'3"	4,193	83.9	16,476	125.8	16,907	167.7	N/A	N/A	N/A
10x55	63'3"	4,272	85.4	16,952	128.1	18,130	170.9	N/A	N/A	N/A
10x56	64'3"	4,350	87.0	17,445	130.5	18,502	174.0	N/A	N/A	N/A
10x57	65'3"	4,429	88.6	17,953	132.9	18,882	177.1	N/A	N/A	N/A
10x58	66'3"	4,507	90.1	19,363	135.2	19,271	180.3	N/A	N/A	N/A
10x59	67'3"	4,586	91.7	19,912	137.6	19,669	183.4	N/A	N/A	N/A
10x60	68'3"	4,664	93.3	20,479	139.9	20,076	186.6	N/A	N/A	N/A