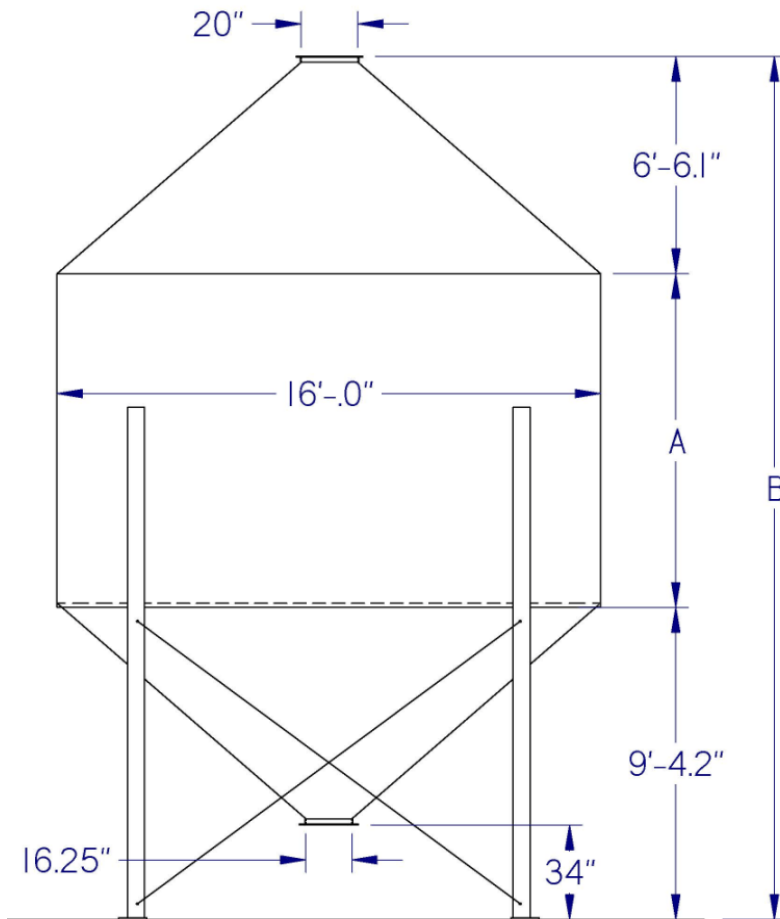


HP45 16' Diameter Dimensions & Cu. Ft. Capacity



Welded Bin HP45 MODEL	Net Total Cu Ft	Dimension "A"	Dimension "B"
HP45 16x10	2,861	10'	25'-10"
HP45 16x11	3,062	11'	26'-10"
HP45 16x12	3,263	12'	27'-10"
HP45 16x13	3,464	13'	28'-10"
HP45 16x14	3,665	14'	29'-10"
HP45 16x15	3,866	15'	30'-10"
HP45 16x16	4,067	16'	31'-10"
HP45 16x17	4,268	17'	32'-10"
HP45 16x18	4,469	18'	33'-10"
HP45 16x19	4,670	19'	34'-10"
HP45 16x20	4,871	20'	35'-10"
HP45 16x21	5,072	21'	36'-10"
HP45 16x22	5,273	22'	37'-10"
HP45 16x23	5,474	23'	38'-10"
HP45 16x24	5,675	24'	39'-10"
HP45 16x25	5,876	25'	40'-10"
HP45 16x26	6,077	26'	41'-10"
HP45 16x27	6,278	27'	42'-10"
HP45 16x28	6,479	28'	43'-10"
HP45 16x29	6,680	29'	44'-10"
HP45 16x30	6,881	30'	45'-10"
HP45 16x31	7,082	31'	46'-10"
HP45 16x32	7,283	32'	47'-10"
HP45 16x33	7,484	33'	48'-10"
HP45 16x34	7,685	34'	49'-10"
HP45 16x35	7,886	35'	50'-10"
HP45 16x36	8,087	36'	51'-10"
HP45 16x37	8,288	37'	52'-10"
HP45 16x38	8,489	38'	53'-10"
HP45 16x39	8,690	39'	54'-10"
HP45 16x40	8,891	40'	55'-10"

